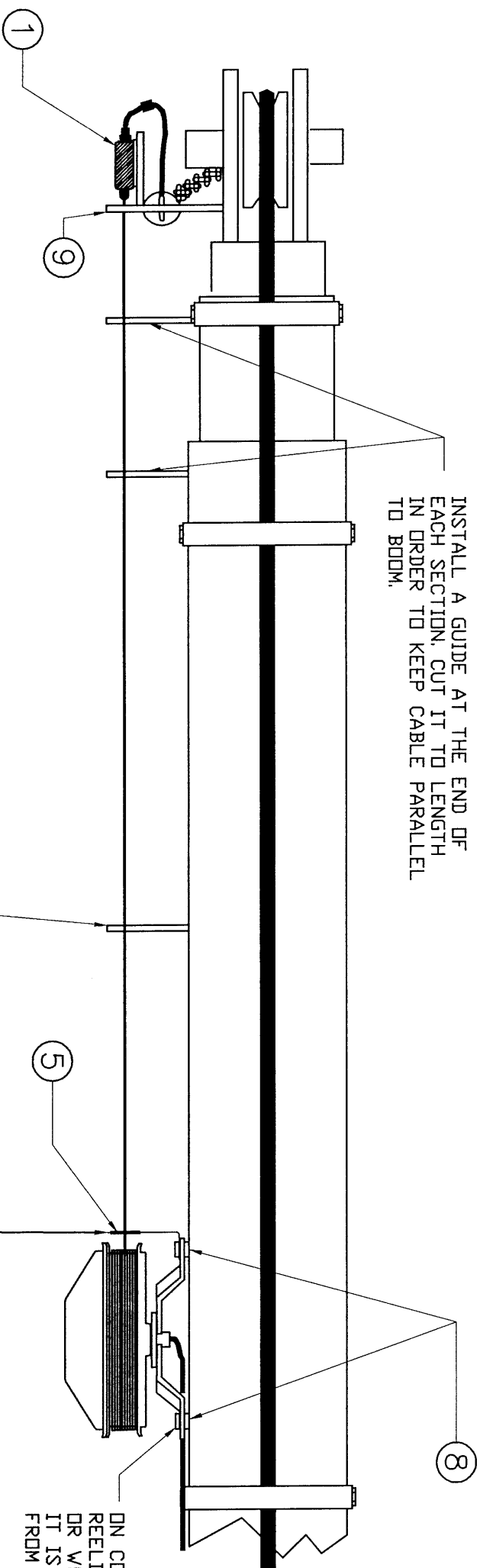


NO.	DESCRIPTION
1	JUNCTION BOX
2	ATB SWITCH
3	WELDED CABLE GUIDE
4	REEL(E)
5	BOLT-ON CABLE GUIDE
6	SLIDE-IN ALUMINUM BRACKET
7	WEIGHT AND CHAIN
8	WELDING ROUND NUTS
9	ATB SWITCH BRACKET

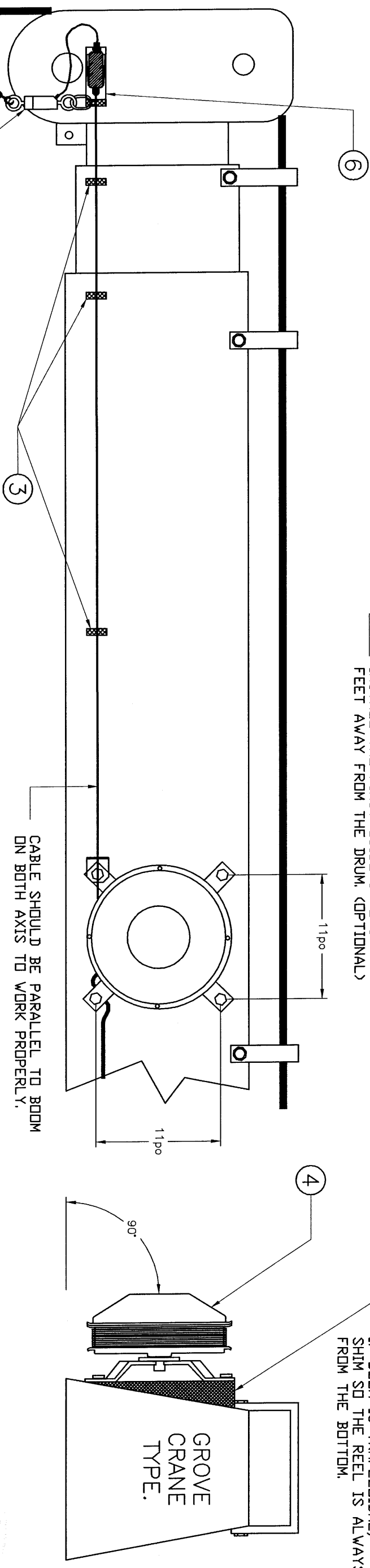
INSTALL A GUIDE AT THE END OF EACH SECTION, CUT IT TO LENGTH IN ORDER TO KEEP CABLE PARALLEL TO BOOM.



INSTALL THE FIRST GUIDE 3 TO 5 FEET AWAY FROM THE DRUM. (OPTIONAL)

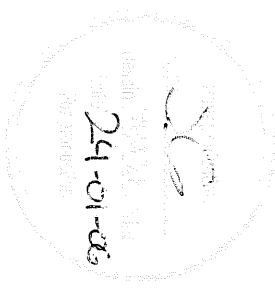
****IMPORTANT**** CABLE GUIDE ON LEG TO BE INSTALL

IF BOOM IS TRAPEZOIDAL, SHIM SO THE REEL IS ALWAYS AT 90° FROM THE BOTTOM.



CABLE SHOULD BE PARALLEL TO BOOM ON BOTH AXIS TO WORK PROPERLY.

NOTE: ALL WELD MUST BE IN BOOM DIRECTION AND SHOULD BE EXECUTED BY CERTIFIED WELDERS ONLY



THE INFORMATION CONTAINED IN THIS DRAWING IS THE PROPERTY OF RAYCOMVILIE. IT MAY NOT BE REPRODUCED IN ANY FORM, AND THE CONTENTS MAY NOT BE DISCLOSED TO A THIRD PARTY WITHOUT THE COMPANY'S CONSENT.
LES INFORMATIONS CONTENUS SUR CE DESSIN SONT LA PROPRIETE DE RAYCOMVILIE. IL N'EST PAS PERMIS DE REPRODUIRE SANS AUCUNE FORME CE DOCUMENT OU LE REPRODUIRE A AUTRUI SANS LE CONSENTEMENT DE LA COMPAGNE.

<p>2440, AVE. DALTON SAINTE-FOY (QUEBEC) CANADA G1P 3X1 TEL: (418) 286-6600 FAX: (418) 286-6610 WWW.RAYCOTECH.COM</p>	UNITS / UNITES	INCHES / POUCES	PROJECTION:	<p>TOLEANCES GENERALES</p> <p>FABRICATION / CASTING BRUT / PIECE MOUTEE NOT MACHINED / PIECE NON USINEE UP TO 24" / JUSQU'A 24" OTHER DIMENSIONS / AUTRES DIMENSIONS OVER 24" / PLUS DE 24"</p> <p>ONE DECIMAL / UN DECADE TWO DECIMALS / DEUX DECIMALES THREE DECIMALS / TROIS DECIMALES ANGULAR DIM. / DIM. ANGULAIRE</p>	<p>PROJECT NAME / NOM DU PROJET:</p> <p>INSTALLATION D'UN ENROULEUR REEL INSTALLATION</p>	<p>ISS</p> <p>ECO</p> <p>DATE</p> <p>16/01/06</p>	<p>DRW</p> <p>J.G</p>	<p>APP'D</p> <p>C.R</p>
	<p>SCALE / ECHELLE:</p> <p>NTS</p>	<p>FINISH / FIN:</p> <p>SEE NOTE</p>	<p>BRG No. / DESSIN No.:</p> <p>77KRH0001-A</p>	<p>SHEET / PAGE:</p> <p>1/1</p>				