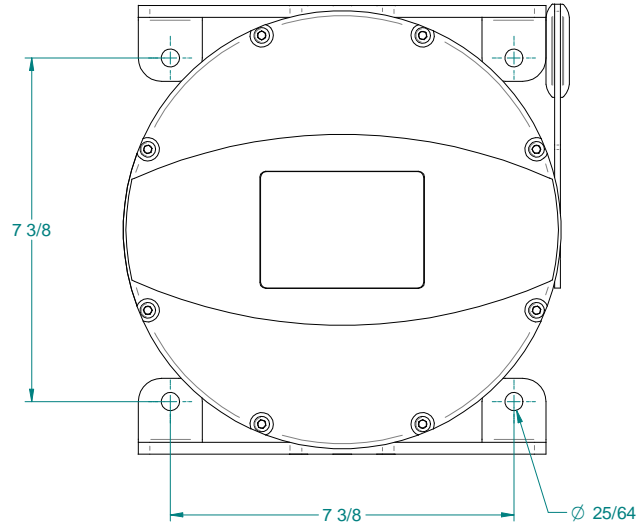


FOR EXTERNAL USE

DRG No. / DESSIN No. 33R6000 REV: A

TECHNICAL SPECIFICATIONS
33R6XXX

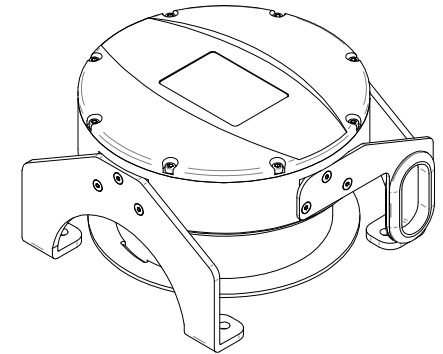
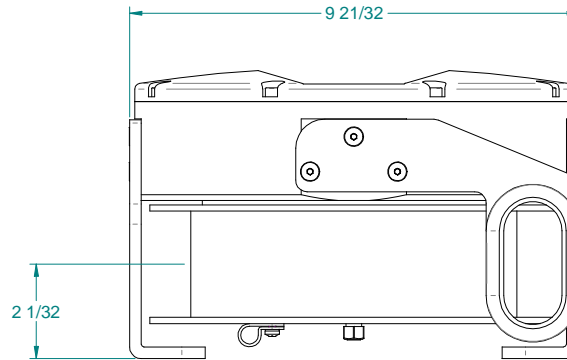
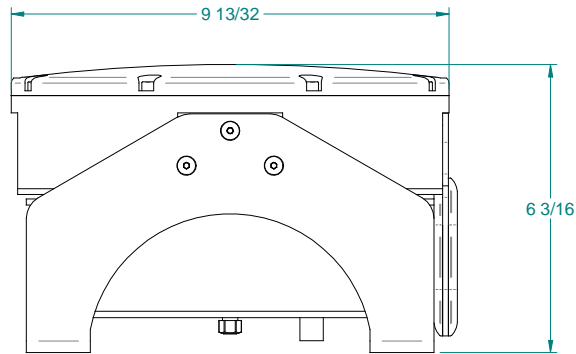


MECHANICAL CHARACTERISTICS

Boom max extension: 80 ft / 24.4 m
 Cable max length: 100 ft / 30.5 m
 Cable tension: 5 to 10 lbs / 22 to 45 N
 External dimension: 9 13/32 in x 9 21/32 in
 Bolt pattern: 7 3/8 in x 7 3/8 in
 Environmental protection level: IP 65

ELECTRICAL CHARACTERISTICS

Electrical excitation: 5 to 15 Vdc (analog)
 12 to 24 Vdc (CANbus)
 potentiometer 5 to 10 turns
 analog or CANbus
 1 to 4 contacts
 -20°C to 85°C
 -40°C to 100°C
 Entry type: 2 x M16x1.5



THE INFORMATION CONTAINED IN THIS DRAWING IS THE PROPERTY OF RAYCO-WYLIE SYSTEMS. IT MAY NOT BE REPRODUCED IN ANY FORM, AND THE CONTENTS MAY NOT BE DISCLOSED TO A THIRD PARTY WITHOUT THE COMPANY'S CONSENT. LES INFORMATIONS CONTENUES SUR CE DESSIN SONT LA PROPRIETE DE RAYCO-WYLIE SYSTEMS. IL N'EST PAS PERMIS DE REPRODUIRE SOUS AUCUNE FORME CE DOCUMENT OU LE REVELER A AUTRUI SANS LE CONSENTEMENT DE LA COMPAGNE.		26/03/08 DATE	J.G. DRW	A APPD
2445 AVE. DALTON SAINTE-FOY (QUEBEC) CANADA G1P 3X1 TEL: (418) 265-6600 FAX: (418) 265-6610 www.RAYCOTECH.com	UNITS / UNITES: INCHES/POUCES	TOLERANCES GENERALES FABRICATION / CASTINGS BRUT / PIECE MOULEE NOT MACHINED / PIECE NON USINEE UP TO 24" / JUSQU'A 24" OVER 24" / PLUS DE 24" OTHER DIMENSIONS / AUTRES DIMENSIONS FRACTION / FRACTION ONE DECIMAL / UNE DECIMALE TWO DECIMALS / DEUX DECIMALES THREE DECIMALS / TROIS DECIMALES ANGULAR DIM. / DIM. ANGULAIRE	PROJECT NUMBER / No. PROJET: PROJECT NAME / NOM DU PROJET: SUBJECT / SUJET: TITLE / TITRE:	B COMMENT / COMMENTAIRE: NTS 33R6000
	PRODUCTION:	ASSEMBLY DRAWING REEL MEDIUM V2	33R6000	A