

DRG. No.

DW0514-3

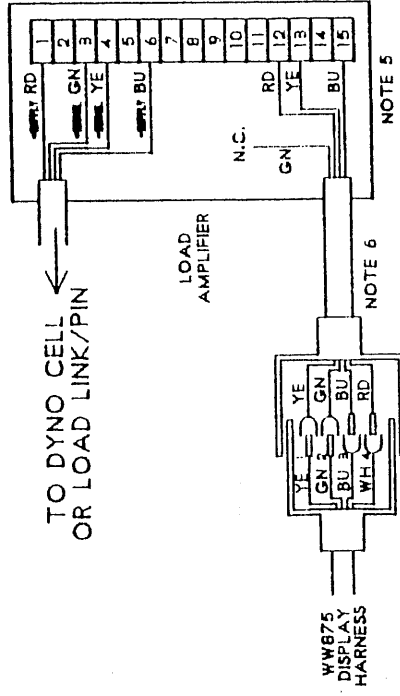
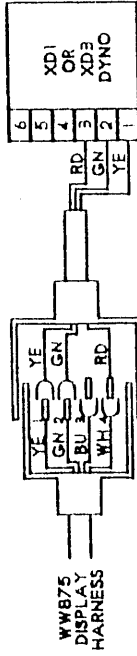
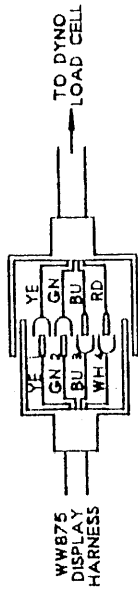
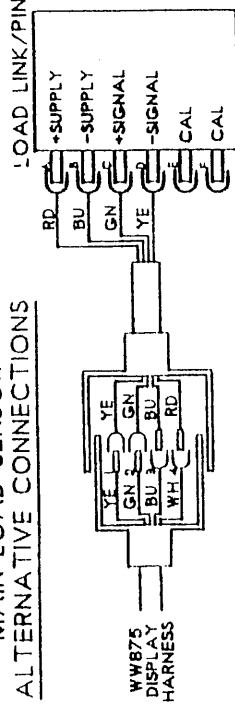
ISS.	EDI	DATE	SG.	APPD
A	7319	27/4/77	S.L.	
B	7326	3/5/94	S.L.	
C	7335	23/5/94	S.L.	
D	7336	26/5/94	S.L.	R.M.
E				
F				
G				
H				
J				
K				
L				
M				
N				
P				
Q				
R				

TOLERANCES - UNLESS OTHERWISE STATED
 NOMINAL DIMENSIONS ± 0.5
 DECIMAL DIMENSIONS ± 0.25
 ANGULAR DIMENSIONS ± 0.5°
 SCREW THREADS Unless otherwise stated these are R.H. and parallel, metric and B.S.P., are medium fit. All in accordance with current British Standards.
 FINISH
 MATERIAL
 CODE
 DO NOT SCALE-IF IN DOUBT ASK
 DIMENSIONS IN MILLIMETRES
 PROJECTION
 SCALE

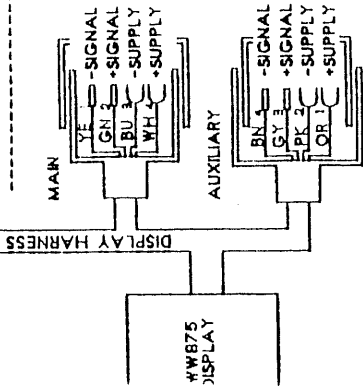
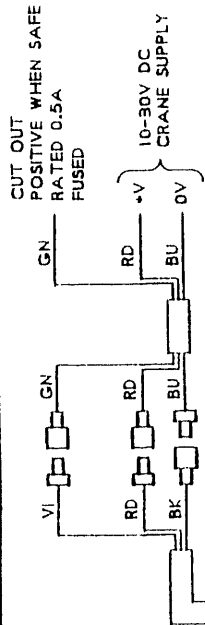


DRG. No. DW0514-3

MAIN LOAD SENSOR ALTERNATIVE CONNECTIONS



SUPPLY/CUTOUT CONNECTIONS



NOTE THAT ALTERNATIVE CONNECTIONS SHOWN ON RIGHT ARE FOR THE MAIN LOAD SENSOR. THE AUXILIARY CONNECTOR USES BODY OF OPPOSITE SEX SO NUMBER SEQUENCE IS IN REVERSE ORDER.

NOTES

- JUNCTION BOXES, SLIP RINGS AND STORAGE DRUMS ETC. MAY BE FITTED, ENSURING WIRES PASS THROUGH COLOUR FOR COLOUR.
- WHEN PASSING THROUGH SLIP RINGS OR THROUGH EXCESSIVE LENGTHS OF CABLE, (SEE WYLE CONTRACT DESIGN STANDARD 2.1.9), THE AMPLIFIER OPTION MUST BE USED.
- TO REDUCE THE NUMBER OF CABLE CONDUCTORS RUNNING UP BOOM ON TWIN LOAD SYSTEMS, THE SUPPLIES FOR MAIN AND AUX. MAY BE COMMONED VIA JUNCTION BOXES, PROVIDED THE CABLE LENGTH IS NOT EXCESSIVE. (SEE WYLE CONTRACT DESIGN STANDARD 2.1.9).
- CONNECT CABLE SCREENS TO CHASSIS WHERE POSSIBLE.
- IGNORE ANY REFERENCE TO WIRE COLOURS ON OLD AMPLIFIER LABELS. CONNECT AS SHOWN ON THIS DRAWING.
- THE CABLE FROM AMPLIFIER TO DISPLAY HARNESS ON PRE-ISSUE C DRAWINGS USED DIFFERENT WIRE COLOURS, BUT SAME CONNECTIONS.

DISPLAY SWITCH SETTINGS

SW7/	NO INPUT	CELL	XD3	XD2	XD1
1	ON	ON	ON	OFF	ON
2	ON	OFF	OFF	OFF	ON
3	ON	OFF	OFF	ON	ON
4	OFF	ON	ON	OFF	OFF
5	ON	ON	ON	OFF	ON
6	ON	OFF	OFF	OFF	ON
7	ON	OFF	OFF	ON	ON
8	BI OFF	ON	ON	OFF	OFF

The information contained in this drawing is the property of the company. It may not be reproduced in any form, nor the contents disclosed to a third party without the written consent of the company.

TITLE

WW875 SUPPLY/SENSOR WIRING DIAGRAM

Wyle Systems
 Drury Lane
 Hastings, England
 Tele: (0424) 421235
 Fax: (0424) 433760

