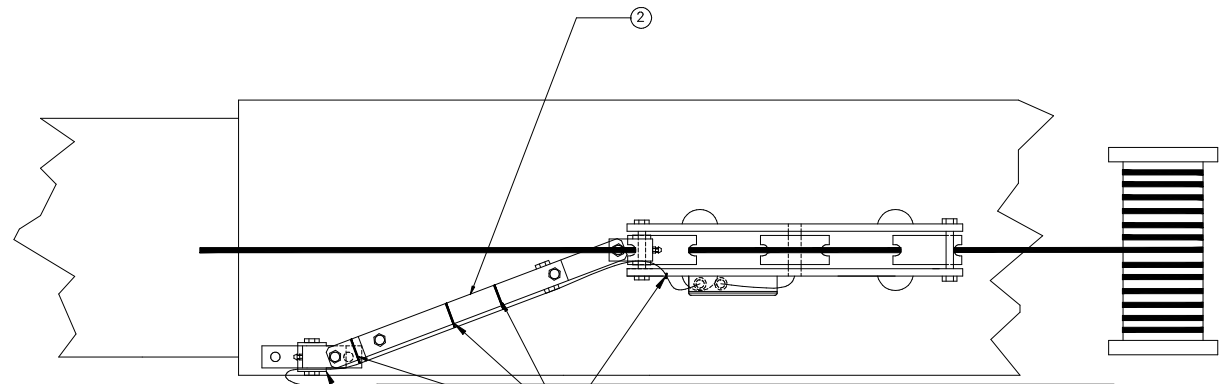
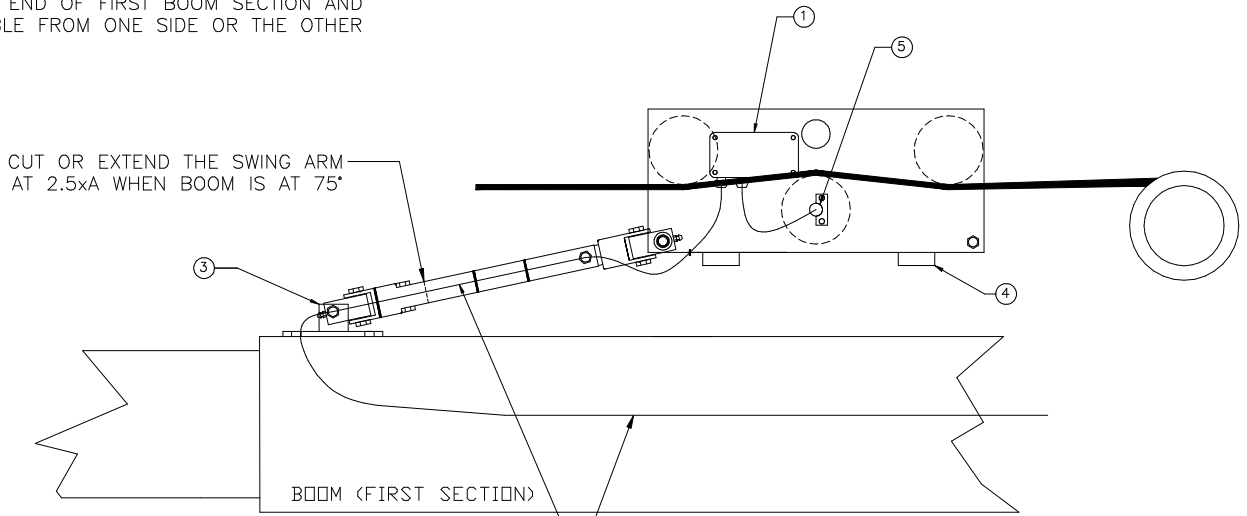


NO	CODE	DESCRIPTION	QTY
1	33J0023	JUNCTION BOX	1
2	22KYK0400	SWING ARM	1
3	22KYF0050	BASE ANCHOR	1
4	22KYK0010	RUBBER LEGS	4
5	33C200X	LOAD PIN	1



WELD OR BOLT THIS END OF THE SWING ARM AT:
 APROX. 5" FROM THE END OF FIRST BOOM SECTION AND
 AS CLOSE AS POSSIBLE FROM ONE SIDE OR THE OTHER



CUT OR EXTEND THE SWING ARM
 AT 2.5xA WHEN BOOM IS AT 75°

FEED AND FIX THE WIRE ALONG THE SWING ARM
 AND ALONG THE BOOM SIDE TO THE CONTROL UNIT

NOTE: ALL WELD MUST BE IN BOOM DIRECTION
 AND SHOULD BE EXECUTED BY CERTIFIED WELDERS ONLY

THE INFORMATION CONTAINED IN THIS DRAWING IS THE PROPERTY OF RAYCOWYLIE. IT MAY NOT BE REPRODUCED IN ANY FORM, AND THE CONTENTS MAY NOT BE DISCLOSED TO A THIRD PARTY WITHOUT THE COMPANY'S CONSENT. LES INFORMATIONS CONTENUS SUR CE DESSIN SONT LA PROPRIETE DE RAYCOWYLIE. IL N'EST PAS PERMIS DE REPRODUIRE SOUS AUCUNE FORME CE DOCUMENT OU LE REVELER A AUTRUI SANS LE CONSENTEMENT DE LA COMPAGNIE.		16/01/06	J.G	C.R
ISS	ECO	DATE	DRW	APP'D
MATERIAL / MATERIEL:		SPECIFICATIONS:		
SCALE / ECHELLE:		FINISH / FINI:		
DRG No. / DESSIN No.:		SHEET / PAGE:		
2440, AVE. DALTON SAINTE-FOY (QUEBEC) CANADA G1P 3X1 TEL: (418) 266-6600 FAX: (418) 266-6610 WWW.RAYCOTECH.COM		UNITS / UNITES: INCHES/POUCES PROJECTION:		TOLERANCES GENERALES FABRICATION / CASTING BRUT / PIECE MOULEE NOT MACHINED / PIÈCE NON USINEE UP TO 24" / JUSQU'A 24" OVER 24" / PLUS DE 24" OTHER DIMENSIONS / AUTRES DIMENSIONS FRACTION / FRACTION ONE DECIMAL / UNE DECIMALE TWO DECIMALS / DEUX DECIMALES THREE DECIMALS / TROIS DECIMALES ANGULAR DIM. / DIM. ANGULAIRE
PROJECT NAME / NOM DU PROJET: INSTALLATION D'UN DYNO AVEC SWING ARM (DEBOUT) DYNO WITH SWING ARM INSTALLATION (STANDING)		TITLE / TITRE: DEVIS D'INSTALLATION INSTALLATION DRAW		
RaycoWylie		SEE NOTE		NTS
77KYK0002-A		1/1		