

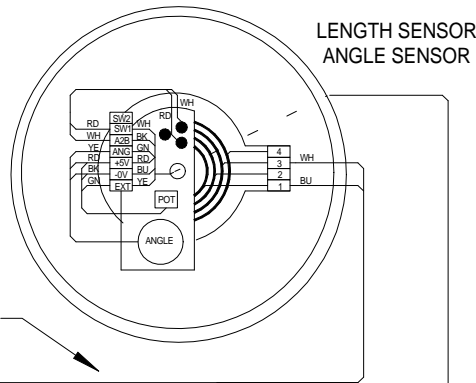
A2B SWITCH
PROVIDED BY
SHUTTLELIFT



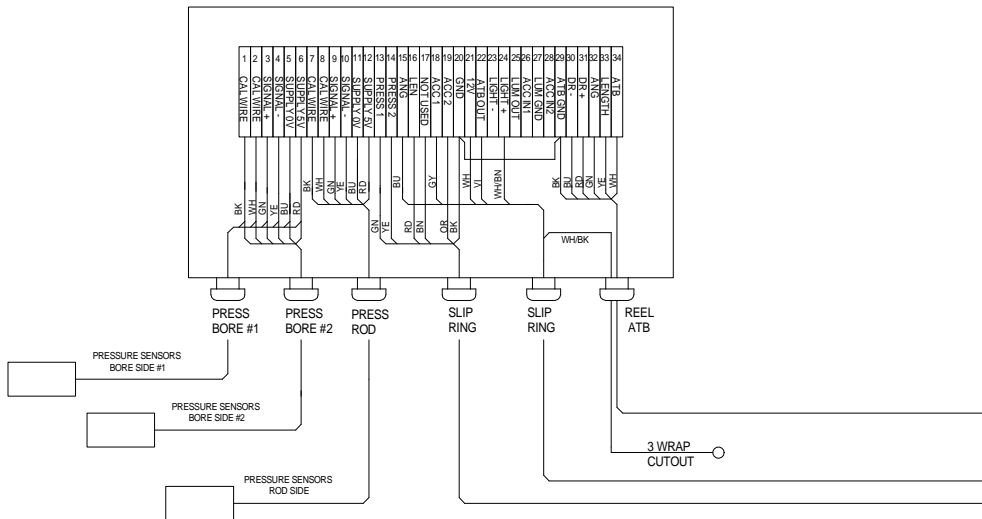
FEMALE CONNECTOR

LENGTH SENSOR CABLE

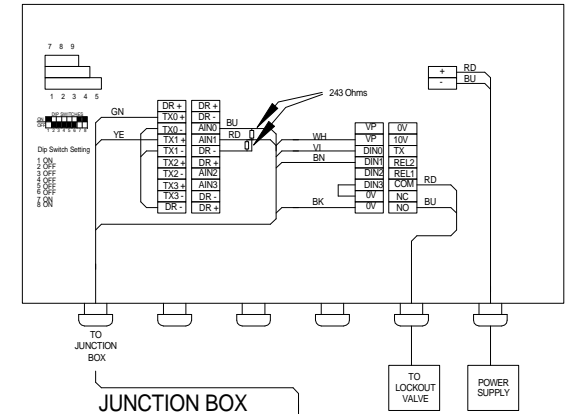
MALE CONNECTOR



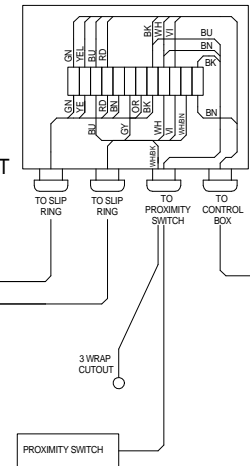
LOAD AMPLIFIER JUNCTION BOX



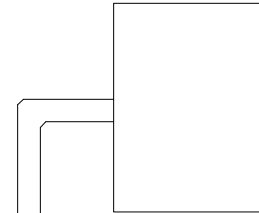
CONTROL BOX W1250



JUNCTION BOX
12 POSITIONS



ELEC. SLIP RING
PROVIDED BY SHUTTLELIFT



THE INFORMATION CONTAINED IN THIS DRAWING IS THE PROPERTY OF THE COMPANY. IT MAY NOT BE REPRODUCED IN ANY FORM NOR THE CONTENT DISCLOSED TO ANY THIRD PARTY WITHOUT THE WRITTEN CONSENT OF THE COMPANY



Wylie Systems
2440 Avenue Dalton
Ste-Foy (Québec)
Canada
G1P 3X1
Tel: (418) 266-6600
Fax: (418) 266-6610

TITLE

**WIRING DIAGRAM FOR KIT 66S1258TM1
LMI FOR SHUTTLELIFT MODEL 7750
5 SECTION BOOM MARINE TRAVELIFT P/N: 1044760**

E				
D				
C				
B		18 APR, 2005	L. Després	
A		22 MAR, 2005	L. Després	C. Simard
ISS	ECO	DATE	SIG	APP'D

DRG No.

75S1258TM1